

Spec Sheet

Part No.: DT001WC044001H

Page: 1/1

Features

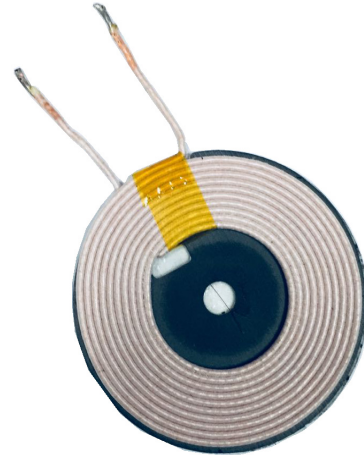
- Qi Standard compliance
- High mechanical intensity
- High temperature protection design

Applications

- Automobile wireless charging
- Mobile charger
- Game charging equipment
- Smart home wireless charging equipment, etc.

Environmental Data

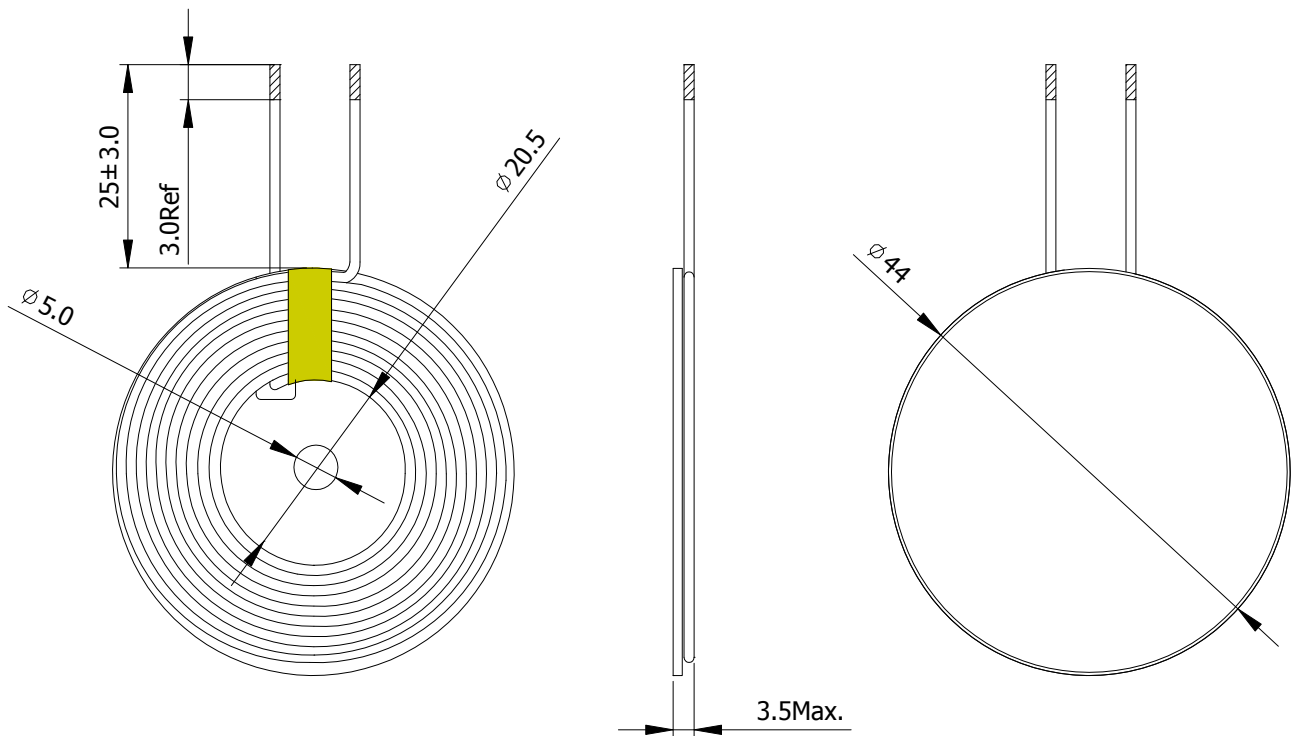
- Storage temperature range: -25°C to + 65°C
- Operating temperature range: -40°C to + 125°C (including coil's self-temperature rise)
- Moisture sensitivity level: 1
- RoHS&HF compliance



Packaging

- Tray and carton box packaging

Mechanical Dimension(Unit:mm)



Electrical Characteristic

■ L	6.3uH±10%
■ Test frequency and voltage	100KHz, 1.0Vrms
■ DCR	48mΩ Max.(37mΩ Typ.)
■ Turns	10Ts
■ Weight	12.2g/pc

■ All test data referenced to 25°C ambient.

Spec Sheet

Part No.: DT001WC0540009H

Page: 1/1

Features

- Qi Standard compliance
- High mechanical intensity
- High temperature protection design

Applications

- Automobile wireless charging
- Mobile charger
- Game charging equipment
- Smart home wireless charging equipment, etc.

Environmental Data

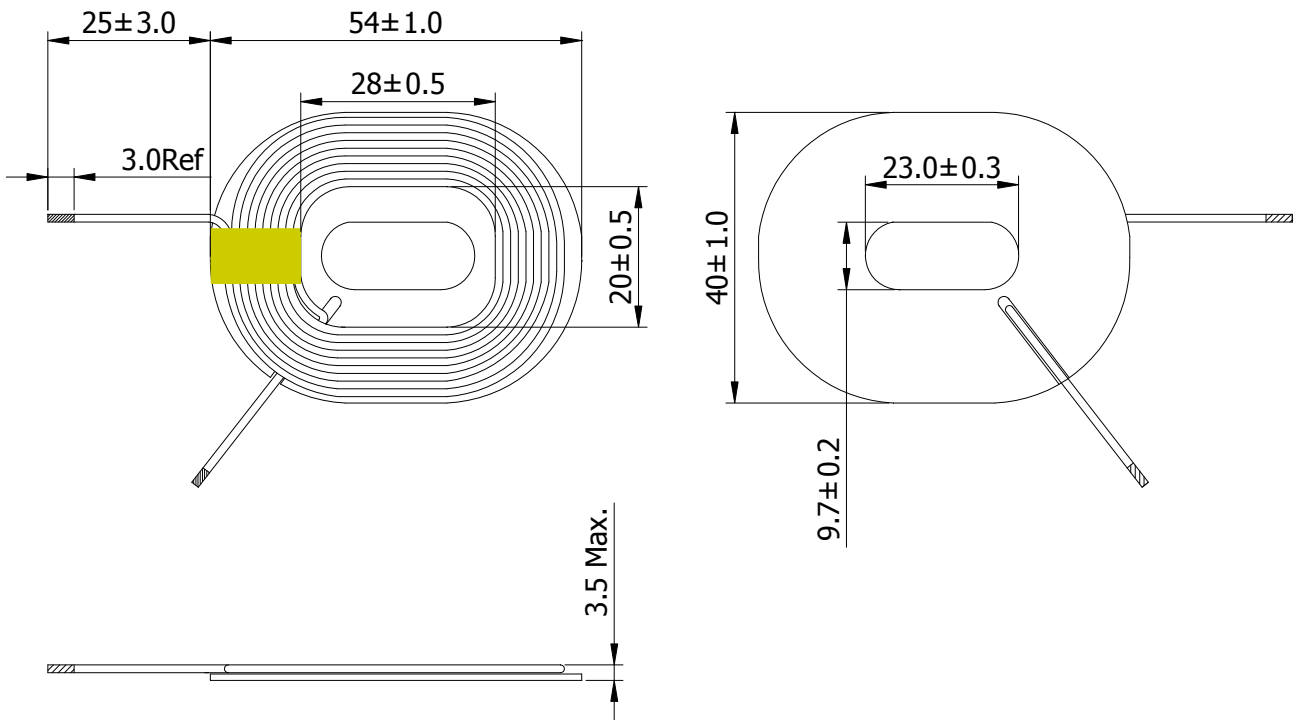
- Storage temperature range: -25°C to + 65°C
- Operating temperature range: -40°C to + 125°C (including coil's self-temperature rise)
- Moisture sensitivity level: 1
- RoHS&HF compliance



Packaging

- Tray and carton box packaging

Mechanical Dimension(Unit:mm)



Electrical Characteristic

■ L	6.5uH±10%
■ Test frequency and voltage	100KHz, 1.0Vrms
■ DCR	52mΩ Max.(40mΩ Typ.)
■ Turns	9Ts
■ Weight	13.1g/pc

■ All test data referenced to 25°C ambient.

Spec Sheet

Part No.: DT001WC094052H

Page: 1/1

Features

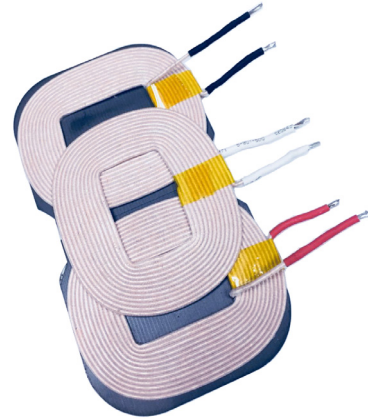
- Qi Standard compliance
- High mechanical intensity
- High temperature protection design

Applications

- Automobile wireless charging
- Mobile charger
- Game charging equipment
- Smart home wireless charging equipment, etc.

Environmental Data

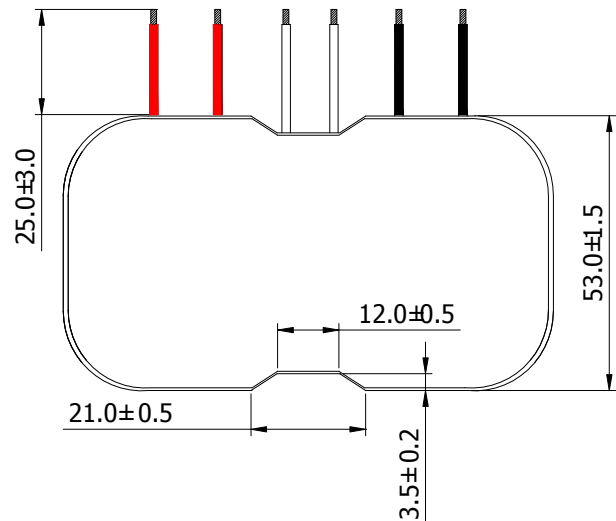
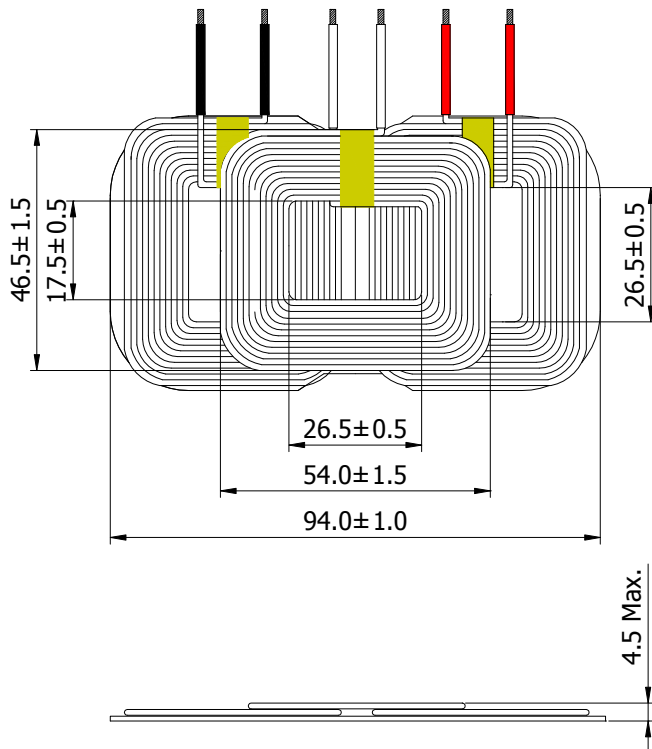
- Storage temperature range: -25°C to + 65°C
- Operating temperature range: -40°C to + 125°C (including coil's self-temperature rise)
- Moisture sensitivity level: 1
- RoHS&HF compliance



Packaging

- Tray and carton box packaging

Mechanical Dimension(Unit:mm)



Electrical Characteristic

■ L(White Coil)	$11.0\mu\text{H} \pm 10\%$
■ L(Black Coil&Red Coil)	$11.5\mu\text{H} \pm 10\%$
■ Test frequency and voltage	100KHz, 1.0Vrms
■ DCR(Each Coil)	$70\text{m}\Omega \text{ Max.} (55\text{m}\Omega \text{ Typ.})$
■ Turns(White Coil)	12Ts
■ Turns(Black Coil&Red Coil)	12Ts&12Ts
■ Weight	40.5g/pc

■ All test data referenced to 25°C ambient.

Spec Sheet

Part No.: DT002WC094052H

Page: 1/1

Features

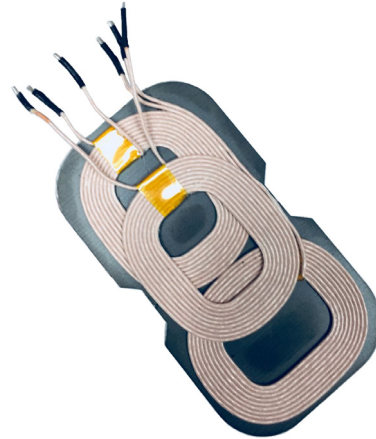
- Qi Standard compliance
- High mechanical intensity
- High temperature protection design

Applications

- Automobile wireless charging
- Mobile charger
- Game charging equipment
- Smart home wireless charging equipment, etc.

Environmental Data

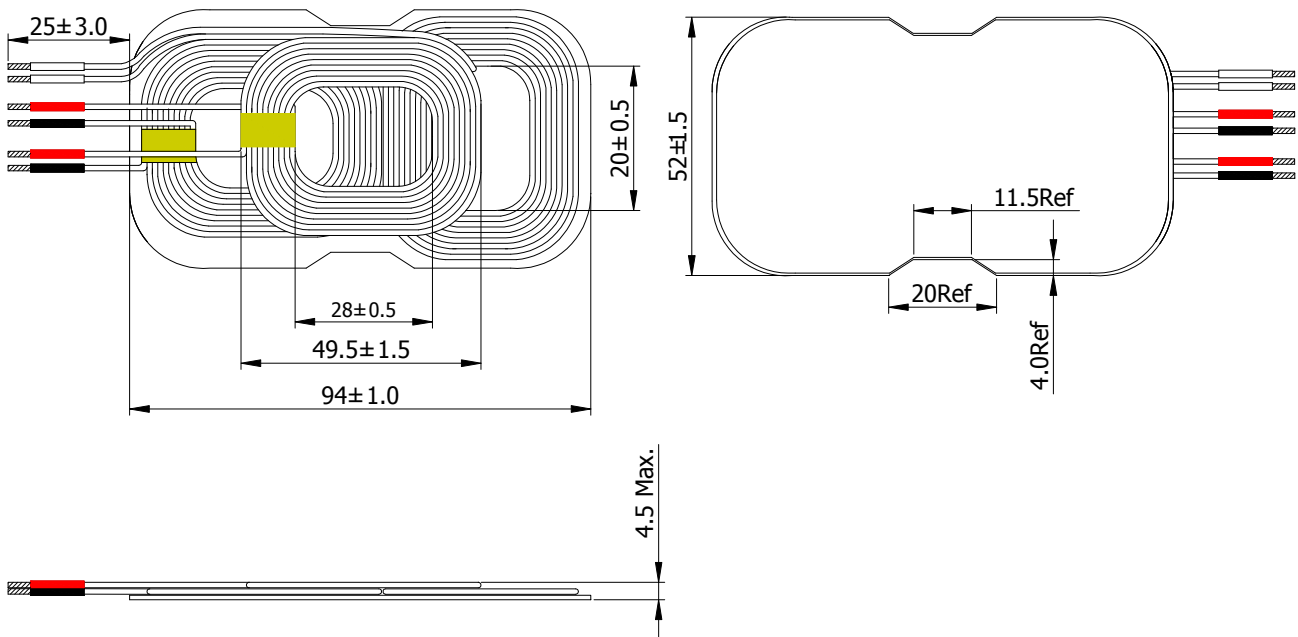
- Storage temperature range: -25°C to + 65°C
- Operating temperature range: -40°C to + 125°C (including coil's self-temperature rise)
- Moisture sensitivity level: 1
- RoHS&HF compliance



Packaging

- Tray and carton box packaging

Mechanical Dimension(Unit:mm)



Electrical Characteristic

■ L(Red Coil)	6.5uH±10%
■ L(Black Coil&White Coil)	7.0uH±10%
■ Test frequency and voltage	100KHz, 1.0Vrms
■ DCR(Each Coil)	55mΩ Max.(42mΩ Typ.)
■ Turns(White Coil)	9Ts
■ Turns(Black Coil&Red Coil)	9Ts&9Ts
■ Weight	33.7g/pc

■ All test data referenced to 25°C ambient.