

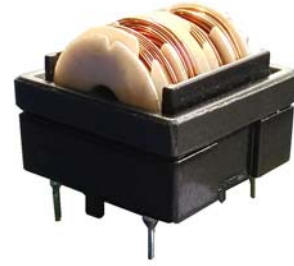
DCM02 Series Common Mode Chokes

Features

- Low cost and high reliability
- High inductance and high current capabilities
- Suitable for wave soldering

Applications

- Suppression of common-mode interferences
- Switch-mode power applications
- Ideally used as AC common mode noise filter for TV, Printer, etc



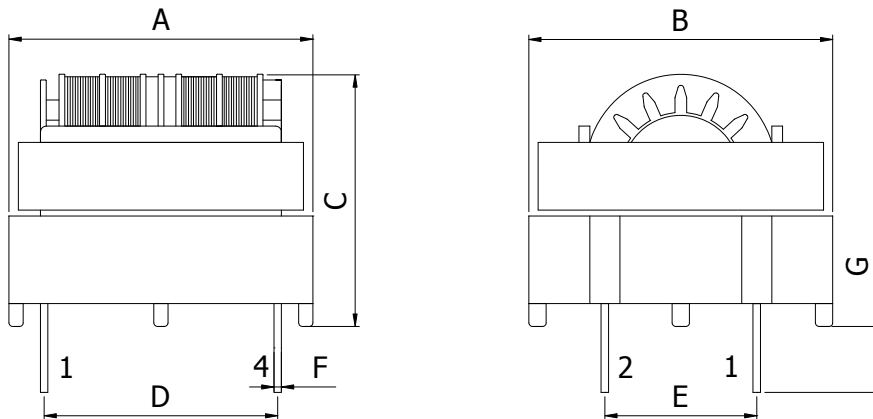
Environmental Data

- Storage temperature range: -40°C to +125°C
- Operating temperature range: -40°C to +125°C (including coil's self-temperature rise)
- Moisture sensitivity level: 1
- RoHS&HF compliance

Packaging

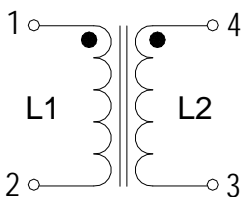
- Tray and carton box packaging

Mechanical Dimension (Unit: mm/inches)



Type	A Max.	B Max.	C Max.	D	E	F	G
DCM02-2219	22.0	22.0	18.5	13.0±0.3	10.0±0.3	0.80±0.1	4.0±1.0
	0.87	0.87	0.73	0.512±0.012	0.394±0.012	0.032±0.004	0.158±0.04
DCM02-2622	26.0	26.0	21.5	21.0±0.3	15.0±0.3	0.80±0.1	4.0±1.0
	1.024	1.024	0.847	0.827±0.012	0.591±0.012	0.032±0.004	0.158±0.04

Electrical Schematic



Part Number Description

DCM02 - 2219 0470 Y

① ② ③ ④

- ① Type
- ② Dimensions
- ③ Inductance value
- ④ Tolerance code

DCM02 Series Common Mode Chokes

Electrical Characteristic

Part Number	Inductance (mH)Min.	DCR (Ω)Max.	Rated current (A)Max.	Temperature Rise($^{\circ}$ C) Max.	Hi-Pot (Coil - Coil)
DCM02-22190470Y	47.0	2.870	0.3	40	AC2.0KV/3S/2mA
DCM02-22190230Y	23.0	1.400	0.5	40	AC2.0KV/3S/2mA
DCM02-22190150Y	15.0	0.990	0.6	40	AC2.0KV/3S/2mA
DCM02-22190100Y	10.0	0.580	0.8	40	AC2.0KV/3S/2mA
DCM02-22190056Y	5.6	0.330	1.1	40	AC2.0KV/3S/2mA
DCM02-22190027Y	2.7	0.155	1.7	40	AC2.0KV/3S/2mA
DCM02-22190018Y	1.8	0.105	2.0	40	AC2.0KV/3S/2mA

Electrical Characteristic

Part Number	Inductance (mH)Min.	DCR (Ω)Max.	Rated current (A)Max.	Temperature Rise($^{\circ}$ C) Max.	Hi-Pot (Coil - Coil)
DCM02-26220620Y	62.0	2.015	0.3	40	AC2.0KV/3S/2mA
DCM02-26220430Y	43.0	1.390	0.5	40	AC2.0KV/3S/2mA
DCM02-26220170Y	17.0	0.550	0.9	40	AC2.0KV/3S/2mA
DCM02-26220110Y	11.0	0.360	1.1	40	AC2.0KV/3S/2mA
DCM02-262220064Y	6.4	0.220	1.5	40	AC2.0KV/3S/2mA
DCM02-26220035Y	3.5	0.115	2.0	40	AC2.0KV/3S/2mA
DCM02-26220023Y	2.3	0.087	2.4	40	AC2.0KV/3S/2mA

- Test frequency and voltage:40KHz,1Vrms.
- All test data referenced to 25 $^{\circ}$ C ambient.
- Rated Voltage: 250V AC 50/60Hz
- Rated current: The AC current at which the temperature rise is Δt of 40 $^{\circ}$ C.