

DCM04 Series Common Mode Chokes

Features

- Low cost and high reliability
- High resonant frequency
- Suitable for wave soldering
- Class B(130°C) materials used

Applications

- Suppression of common-mode interferences
- Switch-mode power applications



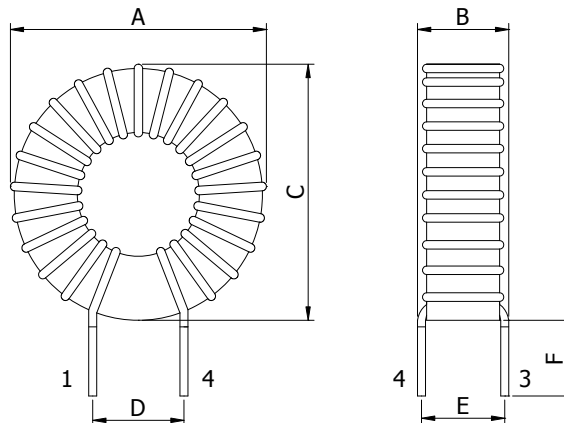
Environmental Data

- Storage temperature range: -40°C to +125°C
- Operating temperature range: -40°C to +125°C (including coil's self-temperature rise)
- Moisture sensitivity level: 1
- RoHS&HF compliance

Packaging

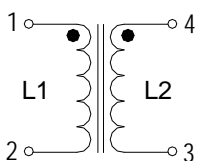
- Tray and carton box packaging

Mechanical Dimension(Unit:mm/inches)



Type	A Max.	B Max.	C Max.	D Nom.	E Nom.	F Min.
DCM04-1005	12.5 0.493	8.0 0.315	12.5 0.493	5.0 0.197	6.5 0.256	5.0 0.197

Electrical Schematic



Part Number Description

DCM04 - 1005 3R6 Y

①

②

③

④

- ① Type
- ② Dimensions
- ③ Inductance value
- ④ Tolerance code

DCM04 Series Common Mode Chokes

Electrical Characteristic

Part Number	Inductance (uH)Min.	DCR (m Ω)Max.	Rated current (A)Max.	Leakage Inductance (uH)Typ.	Hi-Pot (Coil - Coil)
DCM04-10053R6Y	3.6	8.0	1.70	1.0	AC0.8KV/3S/2mA
DCM04-10056R3Y	6.3	9.0	1.70	1.5	AC0.8KV/3S/2mA
DCM04-1005140Y	14.0	13.0	1.70	2.2	AC0.8KV/3S/2mA
DCM04-1005250Y	25.0	17.0	1.70	3.0	AC0.8KV/3S/2mA
DCM04-1005350Y	35.0	15.0	1.70	6.0	AC0.8KV/3S/2mA
DCM04-1005870Y	87.0	20.0	2.10	10.0	AC2.0KV/3S/2mA
DCM04-1005161Y	160.0	26.0	1.70	20.0	AC2.0KV/3S/2mA
DCM04-1005241Y	240.0	130.0	0.45	30.0	AC1.5KV/3S/2mA

- Test frequency and voltage:10KHz,0.1Vrms.
- All test data referenced to 25°C ambient.
- Rated current: The AC current at which the temperature rise is Δt of 40°C.