

DCM01 Series Common Mode Chokes

Features

- Low cost and high reliability
- High inductance and high current capabilities
- Suitable for wave soldering

Applications

- Suppression of common-mode interferences
- Switch-mode power applications
- Ideally used as AC common mode noise filter for TV, Printer, etc



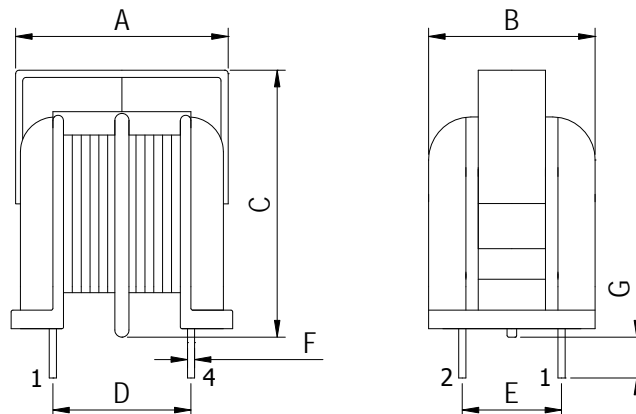
Environmental Data

- Storage temperature range: -40°C to +125°C
- Operating temperature range: -40°C to +125°C (including coil's self-temperature rise)
- Moisture sensitivity level: 1
- RoHS&HF compliance

Packaging

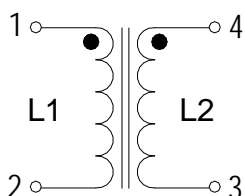
- Tray and carton box packaging

Mechanical Dimension (Unit: mm/inches)



Type	A Max.	B Max.	C Max.	D	E	F	G
DCM01-1921	19.0 0.75	17.0 0.67	21.0 0.827	13.0±0.3 0.512±0.012	10.0±0.3 0.394±0.012	0.70±0.1 0.028±0.004	4.0±1.0 0.158±0.04
DCM01-2328	23.0 0.91	19.5 0.77	28.0 1.103	13.0±0.3 0.512±0.012	10.0±0.3 0.394±0.012	0.70±0.1 0.028±0.004	4.0±1.0 0.158±0.04

Electrical Schematic



Part Number Description

DCM01 - 1921 0136 Y
 ① ② ③ ④

- ① Type
- ② Dimensions
- ③ Inductance value
- ④ Tolerance code

DCM01 Series Common Mode Chokes

Electrical Characteristic

Part Number	Inductance (mH)Min.	DCR (Ω)Max.	Rated current (A)Max.	Temperature Rise($^{\circ}$ C) Max.	Hi-Pot (Coil - Coil)
DCM01-19210136Y	13.6	1.460	0.5	40	AC2.0KV/3S/2mA
DCM01-19210072Y	7.2	0.728	0.7	40	AC2.0KV/3S/2mA
DCM01-19210043Y	4.3	0.414	1.1	40	AC2.0KV/3S/2mA
DCM01-19210028Y	2.8	0.277	1.3	40	AC2.0KV/3S/2mA
DCM01-19210016Y	1.6	0.166	1.7	40	AC2.0KV/3S/2mA
DCM01-19210010Y	1.0	0.110	2.0	40	AC2.0KV/3S/2mA
DCM01-19210007Y	0.7	0.076	2.3	40	AC2.0KV/3S/2mA

Electrical Characteristic

Part Number	Inductance (mH)Min.	DCR (Ω)Max.	Rated current (A)Max.	Temperature Rise($^{\circ}$ C) Max.	Hi-Pot (Coil - Coil)
DCM01-23280220Y	22.0	1.100	0.6	40	AC2.0KV/3S/2mA
DCM01-23280150Y	15.0	0.710	0.8	40	AC2.0KV/3S/2mA
DCM01-23280120Y	12.0	0.530	1.0	40	AC2.0KV/3S/2mA
DCM01-23280068Y	6.8	0.320	1.3	40	AC2.0KV/3S/2mA
DCM01-23280047Y	4.7	0.215	1.5	40	AC2.0KV/3S/2mA
DCM01-23280030Y	3.0	0.144	1.9	40	AC2.0KV/3S/2mA
DCM01-23280021Y	2.1	0.103	2.2	40	AC2.0KV/3S/2mA

- Test frequency and voltage:1KHz,1Vrms.
- All test data referenced to 25 $^{\circ}$ C ambient.
- Rated Voltage: 250V AC 50/60Hz
- Rated current: The AC current at which the temperature rise is Δt of 40 $^{\circ}$ C.